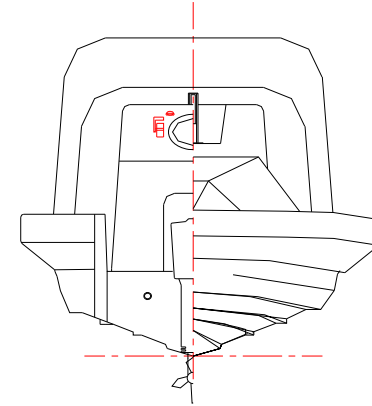
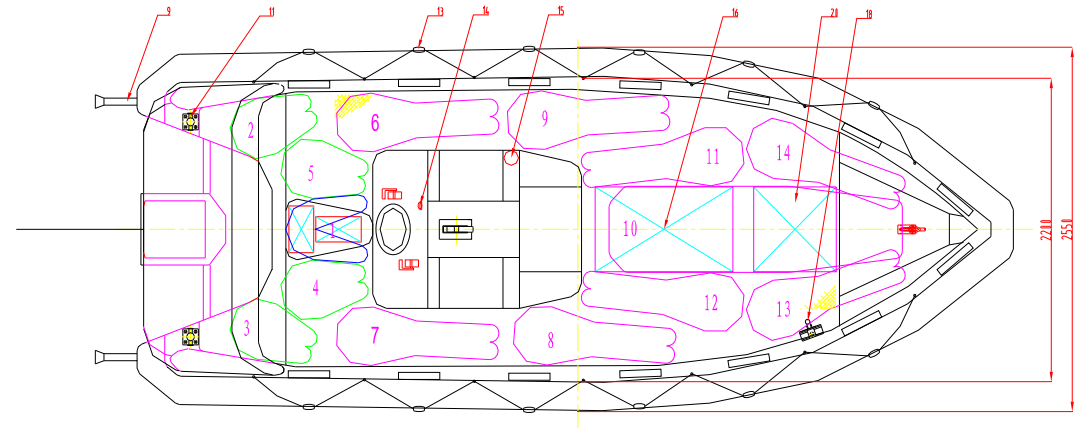


ELEVATION



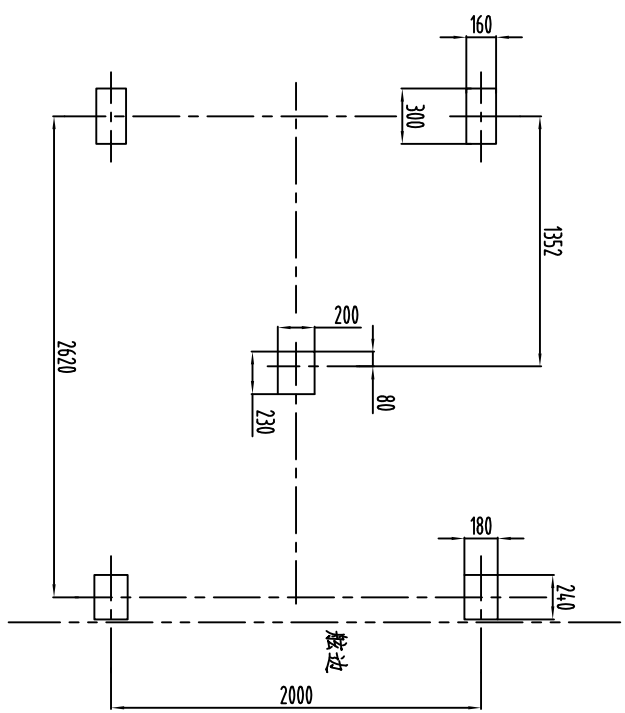
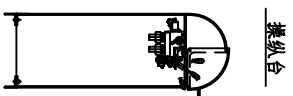
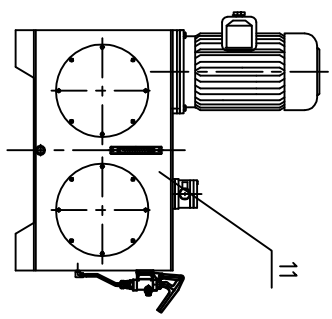
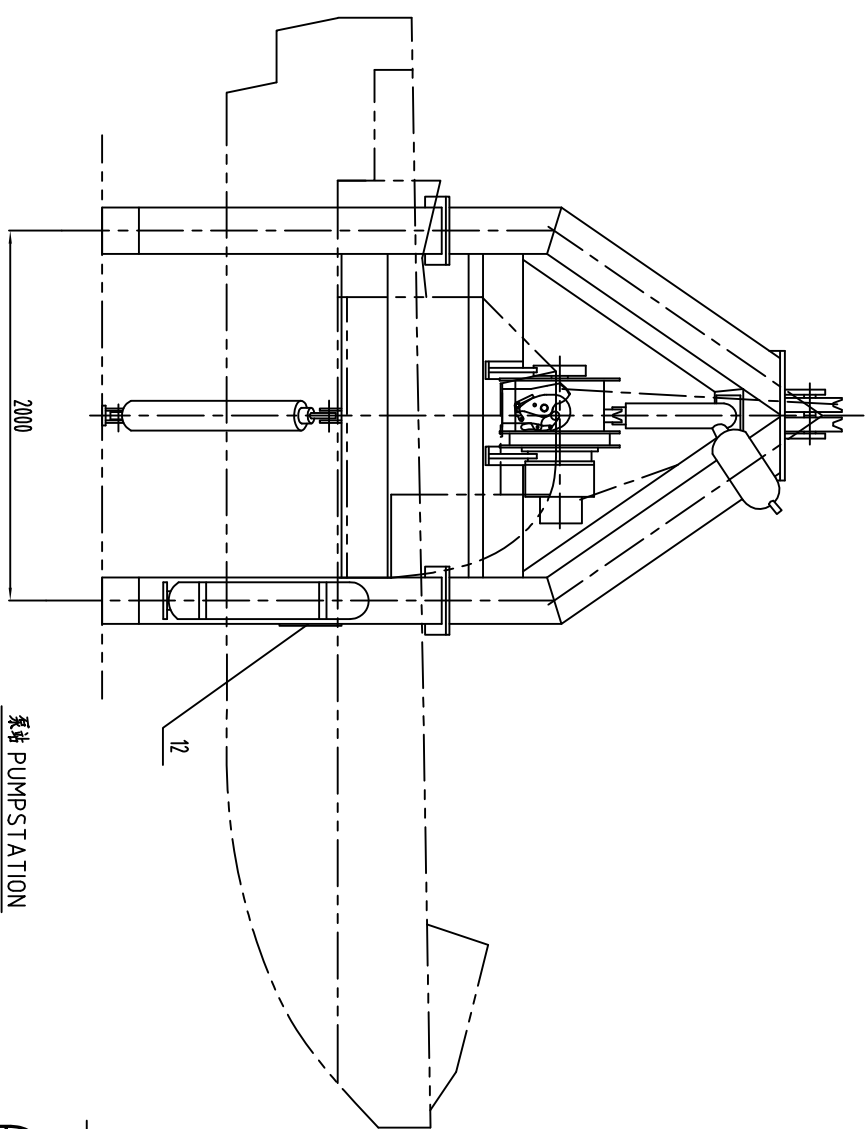
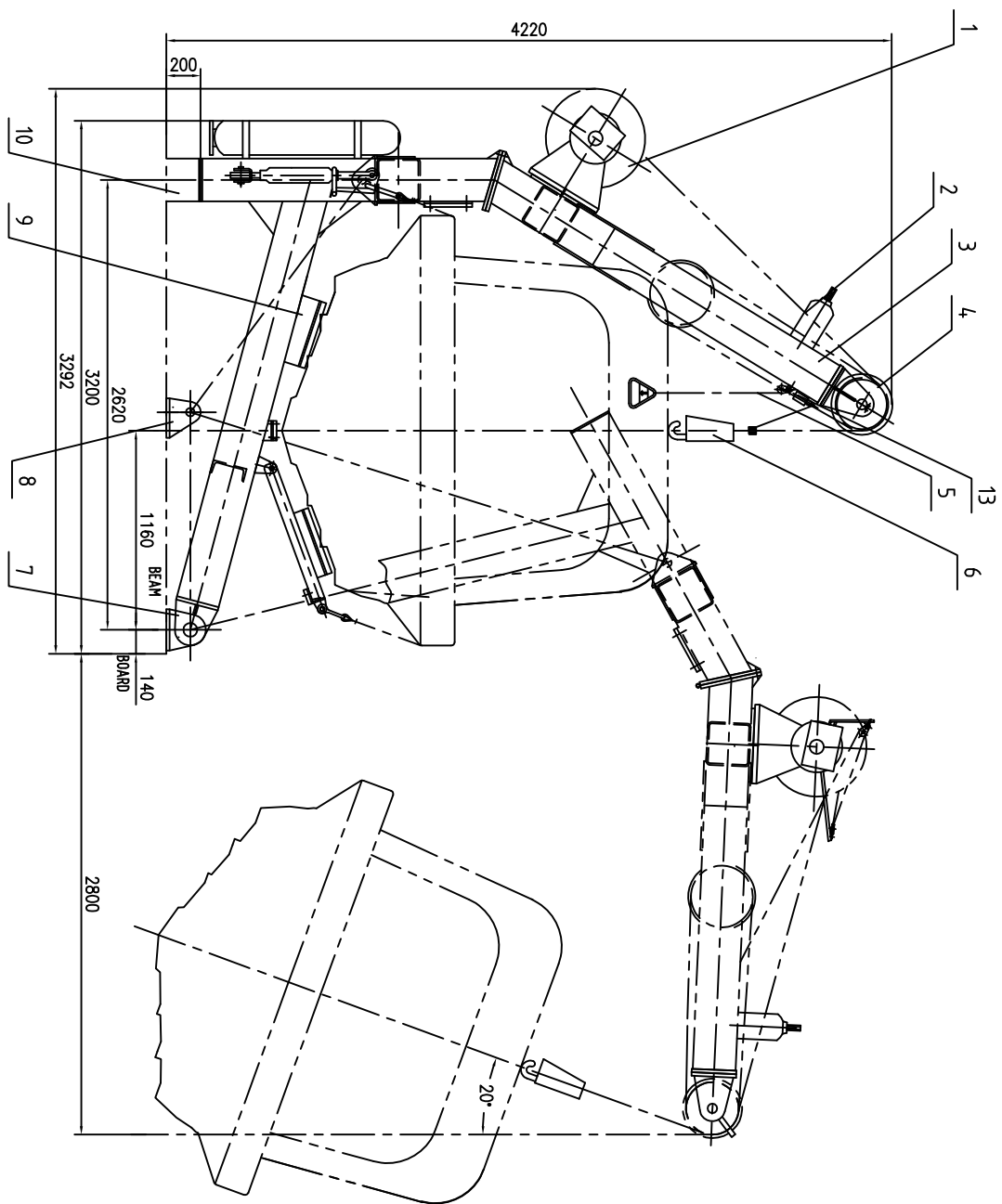
FRONT/REAR VIEW



PLAN

Main particulars

| | | | |
|------------------|---------|--------------|---------------|
| Length | 6.00M | Max. Length | 6.35M |
| Breadth mld | 2.20M | Max. Breadth | 2.55M |
| Depth mld | 1.05M | Enginge | Mercury(60Hp) |
| Speed (3Persons) | ≥20knot | | |



THE DAVIT SYSTEM IS DESIGNED TO FULFIL ALL REQUIREMENTS AS GIVEN IN LATEST SOLAS96 AND MSC.81(70) REQUIREMENTS. TENSION (HEAVE COMPENSATION SYSTEM) SHOCK ABSORPTION SYSTEM.