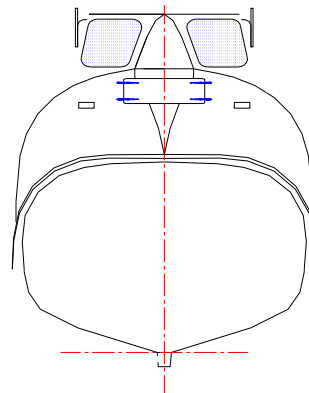
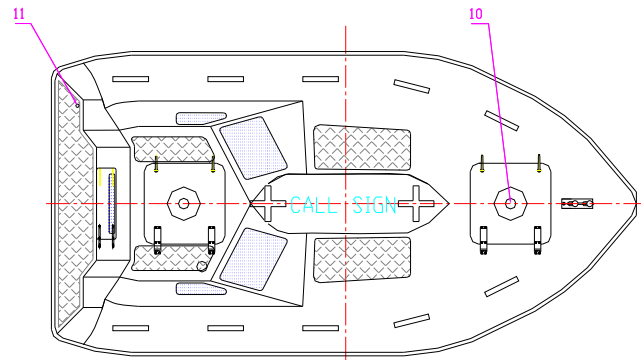
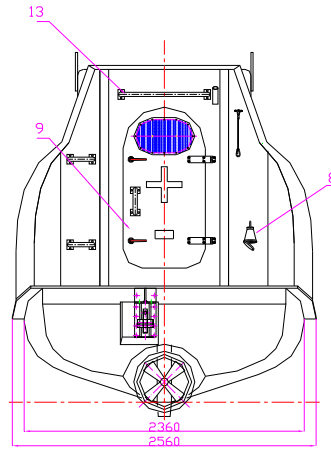
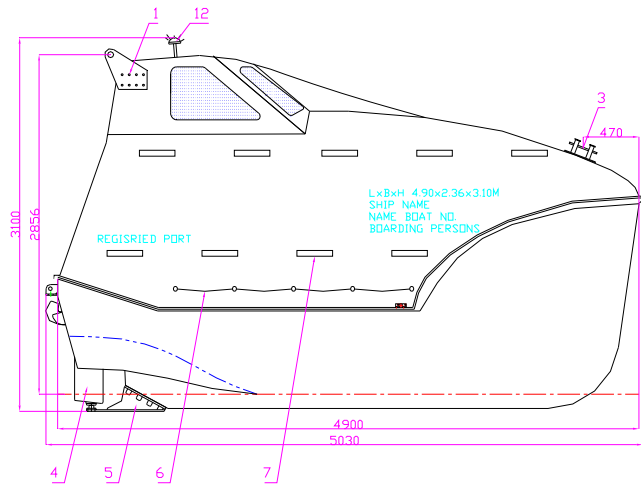


General Plan (JY49CF - OUTSIDE)



13	HAND RAIL	扶手	1	SUS304
12	POSITION LIGHT	示位灯	1	PRO
11	RAIN WATER COLLECTION	雨水收集器	1	F.R.P
10	FORWARD HATCH	前舱	1	PRO
9	AFT DOOR	后门	1	F.R.P
8	CHARGING SOCKET	充电插座	1	PRO
7	REFLECTING STRIP	反光带	LOTS	PRO
6	LIFTING SAVING DEVICE	救生浮索	1	PRO
5	RUDDER CARRIER	舵托	1	PRO.
4	DUCT DEVICE	导流管	1	ASS
3	TOWING DEVICE	拖带装置	1	SUS304
1	LIFTING DEVICE	起吊板	2	STA
NO.	DESCRIPTION		QTY.	REMARK

